



An Ingersoll Rand Business

# PETROLEUM 8

## 2" x 2" Self Priming Pump

Petroleum 8 self-priming centrifugal pumps are capable of creating vacuum sufficient to lift liquids from heights up to 25 feet (7.6 m) above the source. To handle many different fuels, the Petroleum 8 is available in three distinct models: PO, PG and PE.

A Petroleum 8 PumPAK® is a fully assembled and run tested pump end that can be easily coupled to a number of drivers such as hydraulic motors, 56C and 145TC frame motors and gas engines. A bearing pedestal is also available for T-frame motor or belt drive.

Standard features include SS drive sleeve, SS fasteners, renewable wear plate, and a semi-open dynamically balanced impeller.

The Petroleum 8 Pump is available in three distinct models: PE, PG and PO:

Model PE Pumps - Compatible For Ethanol & E 85

Model PG Pumps - Compatible For Gasoline, Kerosene, Avgas & Jet Fuel

Model PO Pumps - Compatible For BioDiesel, Fuel Oil & Diesel

### SPECIFICATIONS:

<b>Suction / Discharge</b>	2" x 2" NPT
<b>Flow</b>	Up to 150 GPM (34 m <sup>3</sup> /h)
<b>Head Feet</b>	Up to 100' (30 m)
<b>Impeller</b>	PE 8 - semi-open cast iron, 316 SS (optional) PG 8 - semi-open cast iron, aluminum (optional) PO 8 - semi-open cast iron
<b>Motor</b>	Up to 3 HP (2.2 kW)
<b>Drive Options</b>	Close coupled 56C Close coupled 145TC Engine mount 5.5 HP (4 kW) Hydraulic motor .37 cu. in. (6.1 cm <sup>3</sup> ) Hydraulic motor .45 cu. in. (7.4 cm <sup>3</sup> ) Pedestal PumPAK® (without motor)
<b>Mounting Options</b>	PE 8 - explosion proof, class 1, group D, PG 8 - explosion proof, class 1, group D, PO 8 - TEFC
<b>Options</b>	5 blade impeller available for higher flows
<b>Compatible For</b>	PE 8 - ethanol, E 85 PG 8 - gasoline, avgas, kerosene, jet A/8 PO 8 - biodiesel, fuel oil, diesel

### Features

- Gas engine for diesel fuel transfer
- Non-spark clamp (on PG models)
- Renewable wear plate
- Stainless steel drive sleeve
- Stainless steel fasteners
- Up to a 25' (8 m) suction lift

### Application:

- Agricultural
- Commercial
- Industrial
- OEM



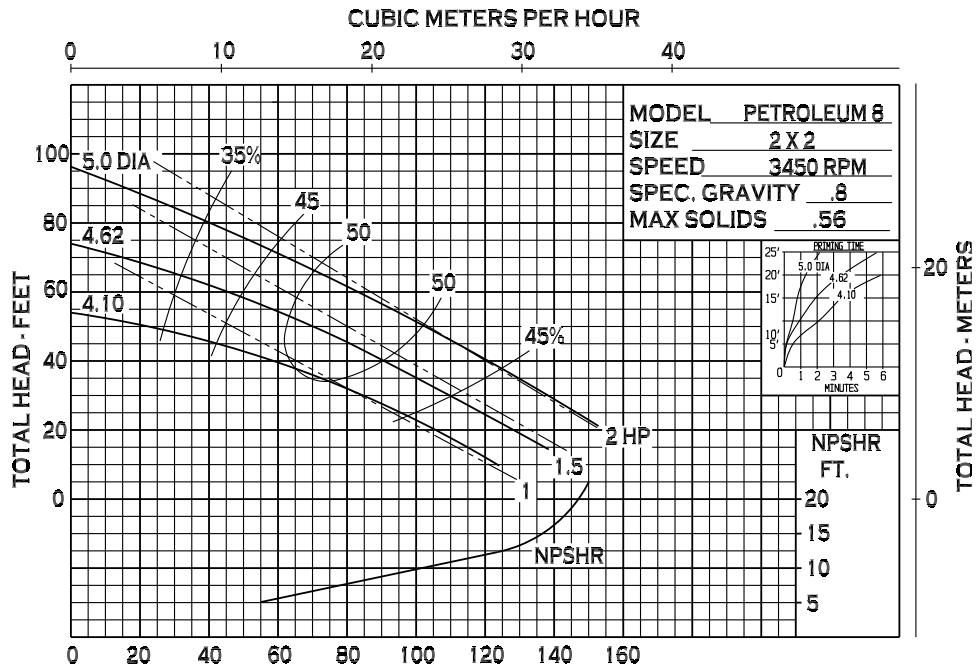
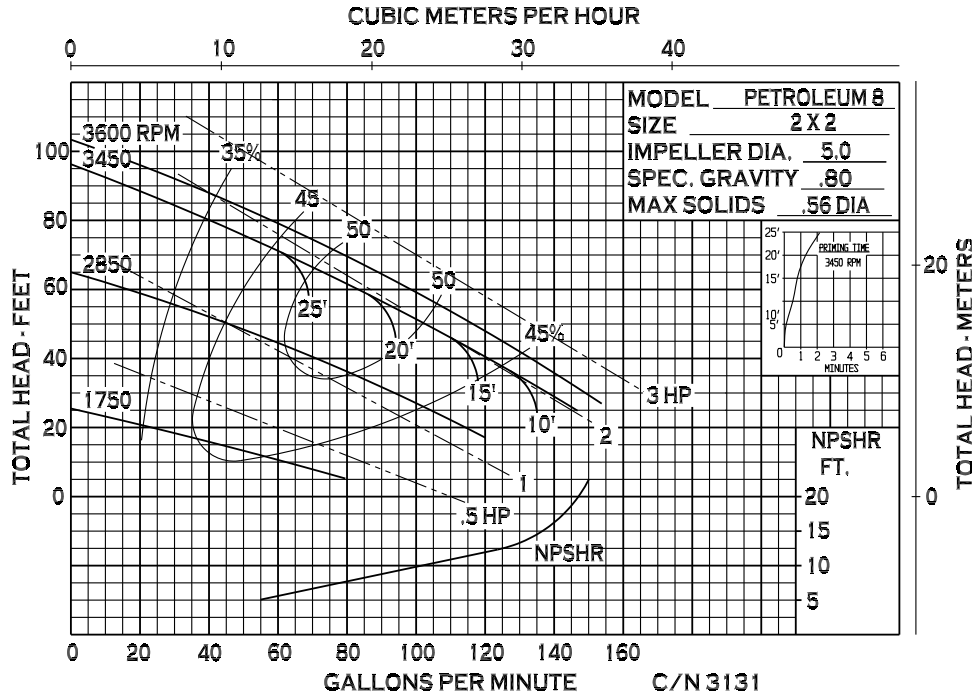
12500 South Pulaski Road  
Alsip, IL 60803, USA  
Phone (800) 563-8006



An Ingersoll Rand Business

# PETROLEUM 8

## PERFORMANCE CURVES



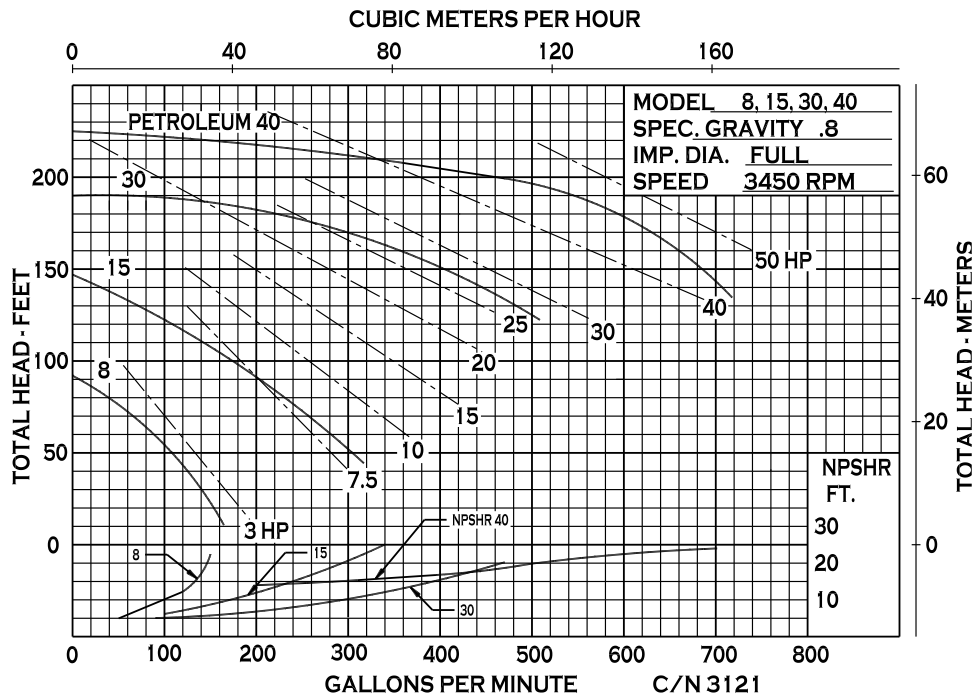
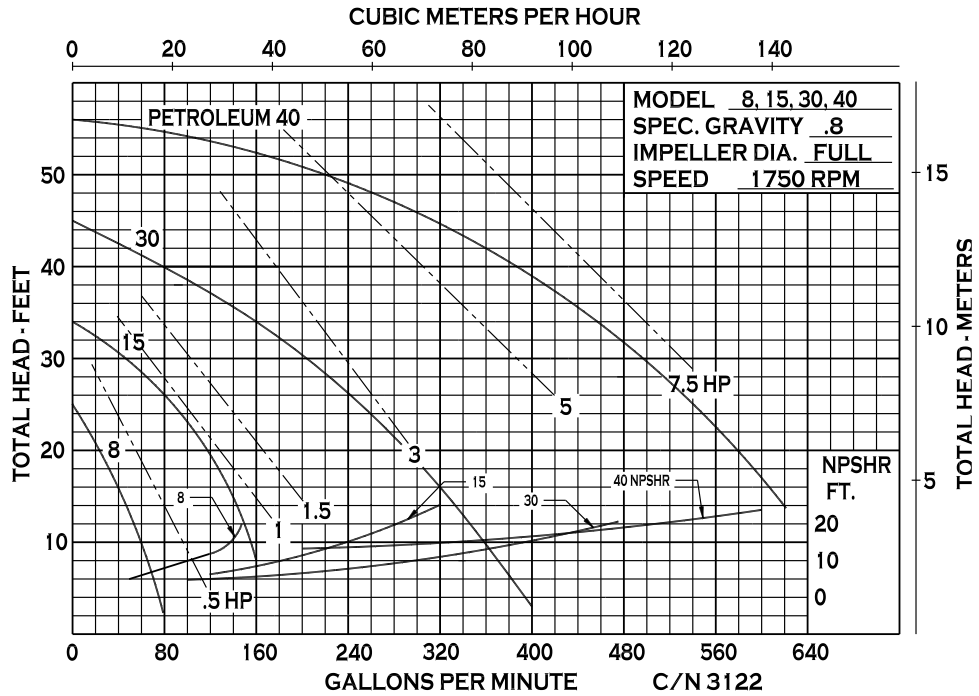
12500 South Pulaski Road  
 Alsip, IL 60803, USA  
 Phone (800) 563-8006



An Ingersoll Rand Business

# PETROLEUM 8

## PERFORMANCE CURVES



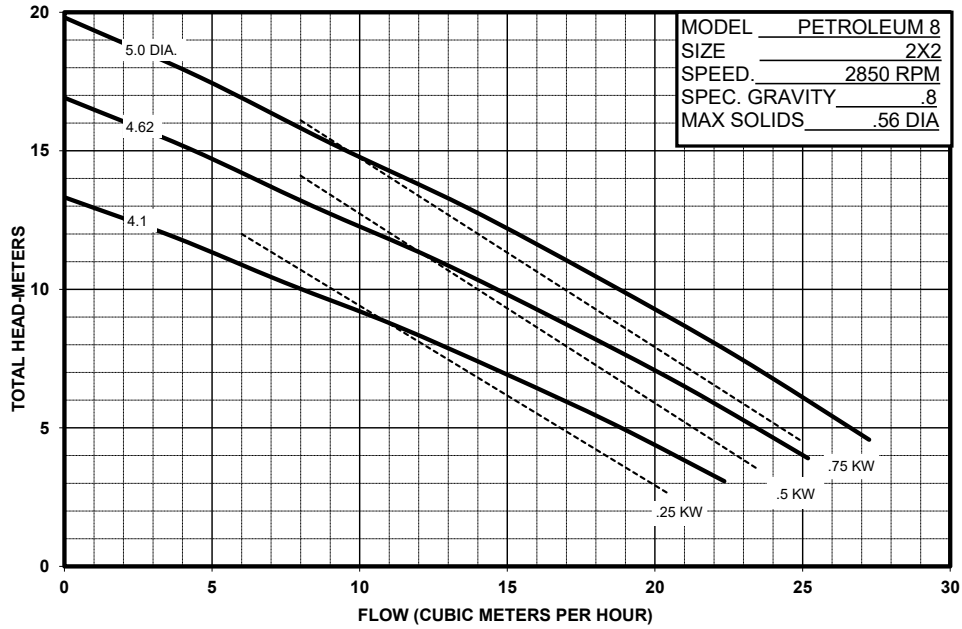
12500 South Pulaski Road  
 Alsip, IL 60803, USA  
 Phone (800) 563-8006



An Ingersoll Rand Business

# PETROLEUM 8

## PERFORMANCE CURVES



12500 South Pulaski Road  
Alsip, IL 60803, USA  
Phone (800) 563-8006

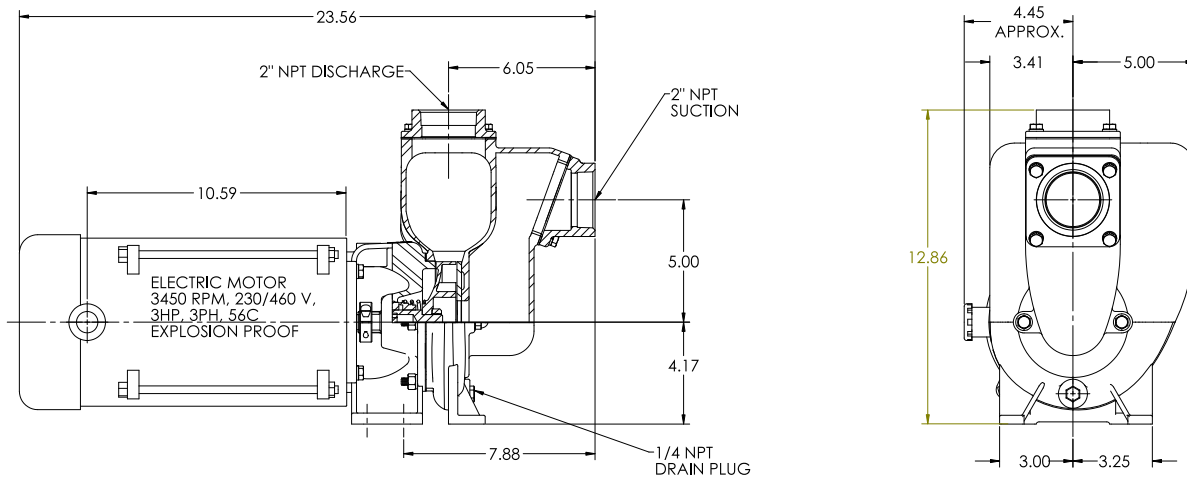


An Ingersoll Rand Business

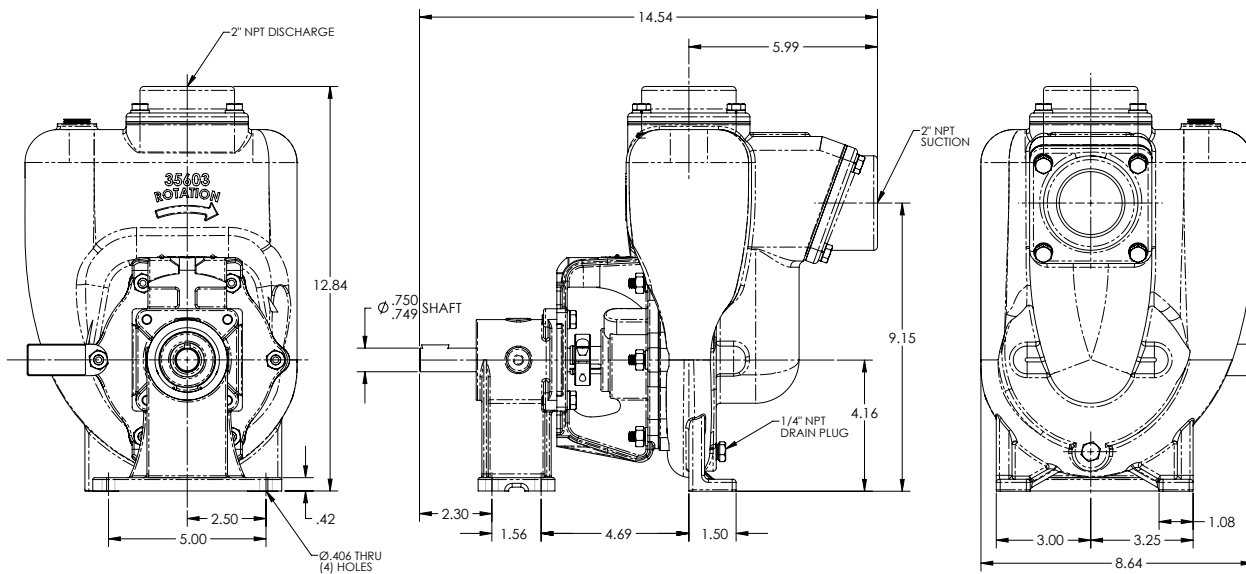
# PETROLEUM 8

## DIMENSIONS

### CLOSE COUPLED - ELECTRIC MOTOR



### PEDESTAL-MOUNT



\* For complete parts lists and troubleshooting guidance, please refer to the MP Pumps Installation Operation & Maintenance (IOM) Manual.



12500 South Pulaski Road  
Alsip, IL 60803, USA  
Phone (800) 563-8006